



TCM Series ZigBee Wireless Dimming Module

TCM-ZBLV-D Low Voltage ZigBee Control Module

With 0-10V Dimming

Electrical Specifications

Input Voltage Range: 11-13Vdc
 Input Current Module Power: ≤0.09A for Units power use

Environmental Specifications

Maximum Case Temp. 72°C
 Operating Temperature: -20°C to +60°C
 Storage Temperature: -40°C to +80°C
 Humidity: 5% to 95%
 Cooling: Convection
 Vibration Frequency: 5 to 55 Hz/2g, 30 minutes
 Impact Resistance: 1g/s
 EMC: FCC 47CFR Part 15 Class B compliant
 Weight: 2.1 oz (59g)



- 2.4GHz, +20dBm ZigBee transmit power
- 0-10V Analog Dimming Control, 50mA Sink
- Compatible with LED Drivers & Electronic Ballasts that comply with IEC60929 Annex E2, 0-10V Dimming
- Dust Proof Design IP50
- Daintree Networks Controlscope Certified
- ZigBee HA Certified
- Gray 5VA PC ABS Plastic Case
- UL Dry & Damp location rated
- Reset Button for use with recommissioning.
- Designed for one module per luminaire
- UL2043 Plenum Rated for use in ceiling spaces
- 5 year warranty

Controllers	
Model Number	Description
TCM-ZBLV-D	Thomas Control Module - ZigBee Wireless Dimming Control

Class 2: US/Canada



Safety Cert.	Standard
UL/CUL	UL8750 & CAN/CSA C22.2 No. 250.13, UL2043 Plenum Rated
CE	EN 61347-1, EN61347-2-13
EMC Standard	Notes
Dimming Circuit	UL & cUL Isolated Class 2, Dim+ Purple/Dim- Gray
FCC Part 15	Class B

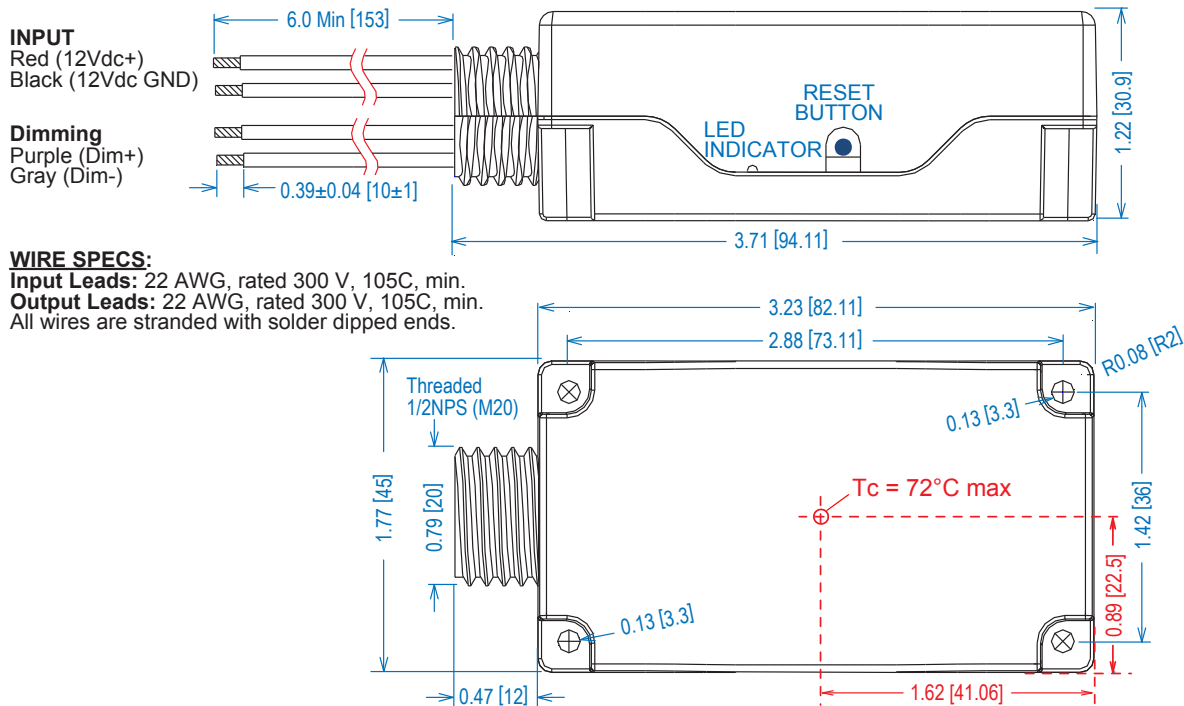
ZigBee is a registered trademark of the ZigBee Alliance.
 Daintree Networks and Controlscope are trademarks of Daintree Networks Inc.
 Specifications subject to change without notice.

Rev 4-25-17

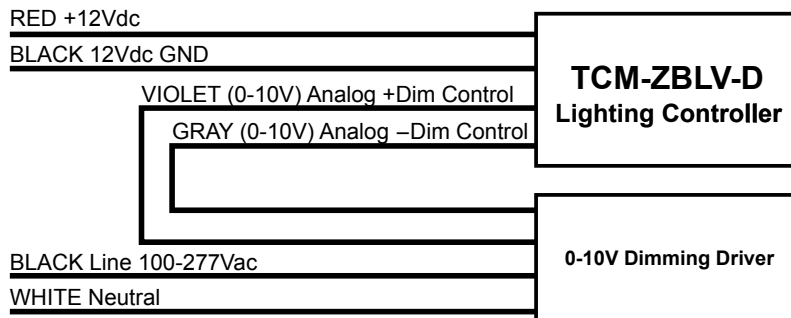


Dimensions - Inches (mm)

IN [mm]



Typical Application Circuit



Reset Operation

Reset Button

The reset button is used to un-join a Zigbee network and reset the TCM-ZBLV-D to factory defaults. To reset: Press and hold the reset button for 7 seconds. You will hear an internal relay click once reset occurs. The green LED indicator will flash On/Off when not joined to a Zigbee network.

Joined

The green LED indicator will remain ON when TCM-ZBLV-D has successfully joined a Zigbee network.

UL Conditions of Acceptability

See website for additional information