

Electrical Specifications

Input Voltage Range:	120-230 Vac Nom. with dimmer, 100-277 Vac Nom. without dimmer
Frequency:	50/60 Hz Nom. (47-63 Hz Min/Max)
Power Factor:	>0.90 @ full load, 100V through 277V without dimmer
Inrush Current:	<10 Amps max @ 120Vac, cold start 25°C
Input Current (Max):	0.25 A max 120Vac 60Hz, max load
Maximum Power:	25W
Current Regulation:	± 5% Over input line variation
Load Regulation:	± 8%
THD:	<20% @ full load, 120V
Typical Efficiency	84% at 120Vac

Protections

Over-voltage	Over-Voltage, Over-Current
Short Circuit	Auto Recovery

Environmental Specifications

Maximum Case Temp.	90°C
Minimum Starting Temp:	-30°C
Storage Temperature:	-40°C to +85°C
Humidity:	5% to 95%
Cooling:	Convection
Vibration Frequency:	5 to 55 Hz/2g, 30 minutes
Sound Rating:	Class A
Impact Resistance:	1g/s
MTBF:	402,000 Hours @ full load per MIL-217F Notice 2
EMC:	FCC 47CFR Part 15 Class B compliant
Weight:	7.0 oz. (198 g)

- Total Power: 25 Watts
- Input Voltage: 100-277 Vac Nom.
- UL Dry & Damp Location Rated
- IP66 & NEMA4
- 100-10% Dimmable on either ELV or Incandescent dimmers
- Black Magic Thermal Advantage™ Plastic Housing
- High Power Factor



ELV Dimming Models

Model	Output Voltage Range (Vdc)	Output Current (mA ±4%)	Max. Output Power (W)	Typical Efficiency
LED25W-72-C0350-TE	36-72	350	25	86%
LED25W-48-C0520-TE	24-48	520	25	85%
LED25W-36-C0700-TE	18-36	700	25	84%
LED25W-24-C1040-TE	12-24	1040	25	83%

For use with electronic low voltage dimmers

INC Dimming Models

Model	Output Voltage Range (Vdc)	Output Current (mA ±4%)	Max. Output Power (W)	Typical Efficiency
LED25W-72-C0350-LE	36-72	350	25	86%
LED25W-48-C0520-LE	24-48	520	25	85%
LED25W-36-C0700-LE	18-36	700	25	84%
LED25W-24-C1040-LE	12-24	1040	25	83%

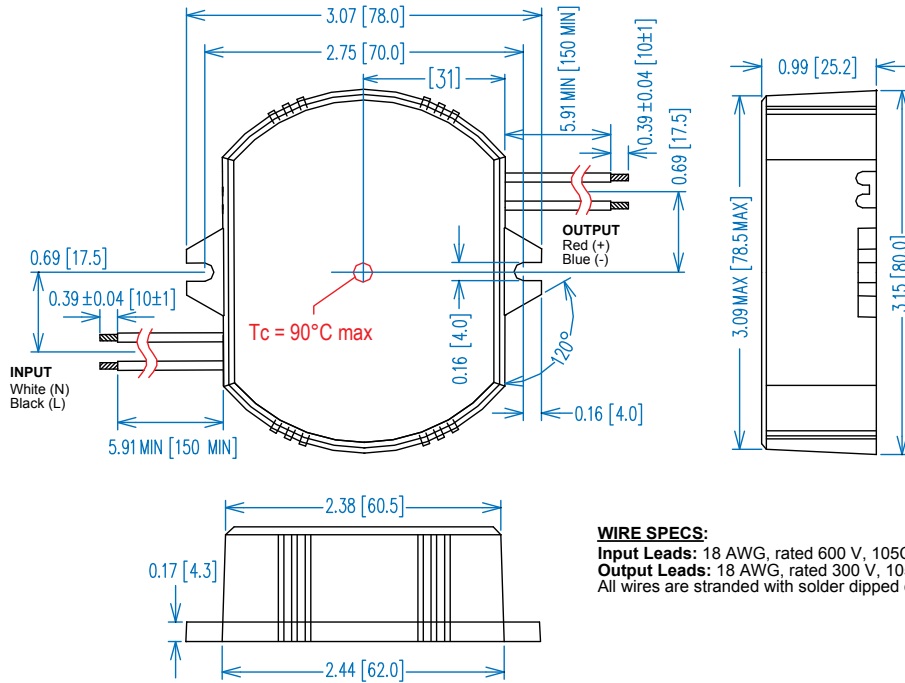
For use with standard incandescent dimmers

Class 2: US/Canada

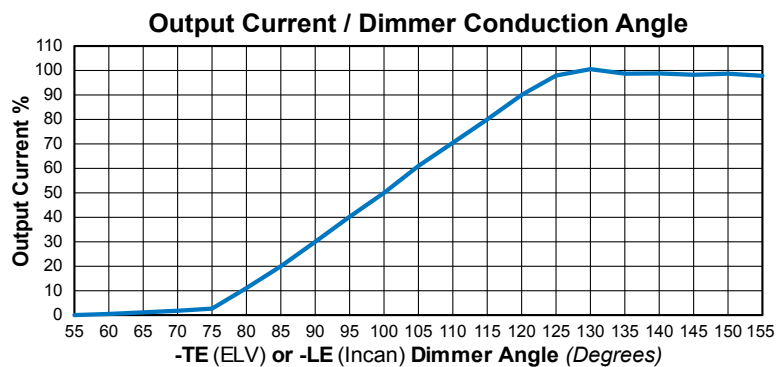
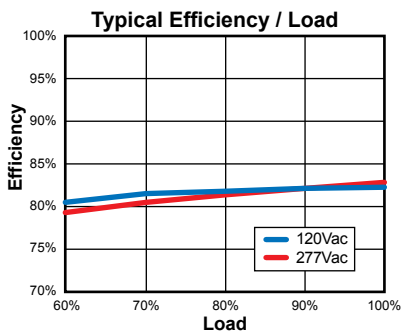
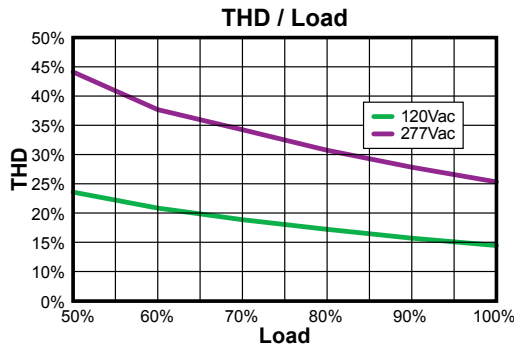
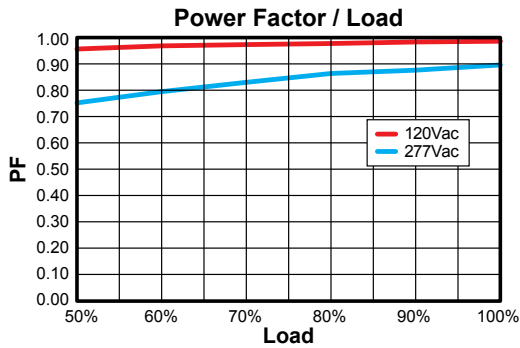
Safety & EMC Compliance

UL/CUL	UL8750, CSA-C22.2
CE	EN 61347
FCC Part 15	Class B
EN61000-3-2	
EN61000-3-3	Class C

Dimensions



Power Characteristics



UL Conditions of Acceptability

See website for additional information