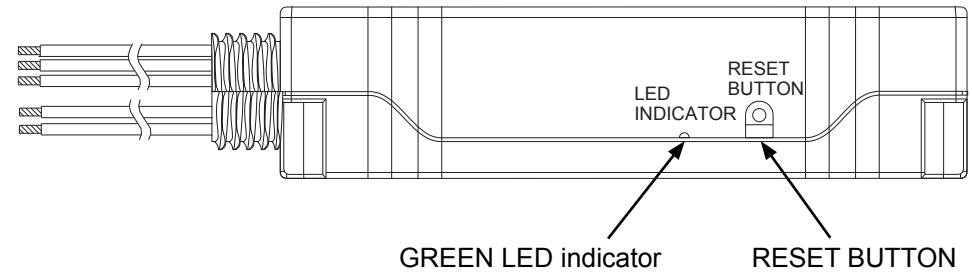
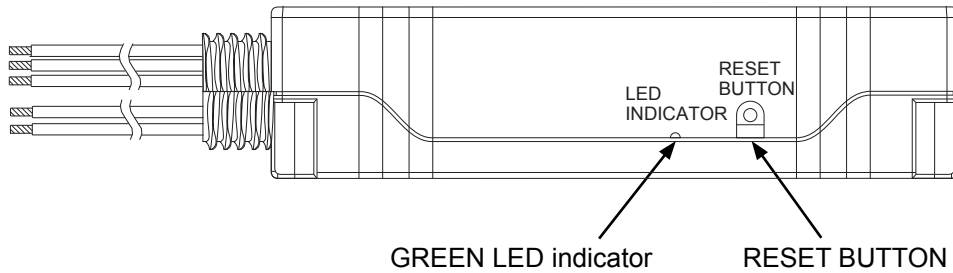
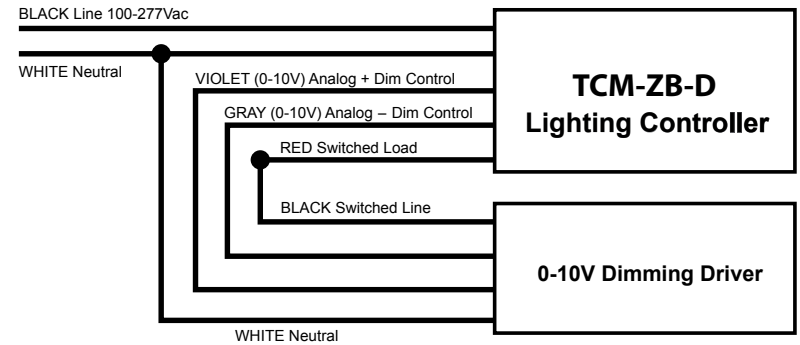
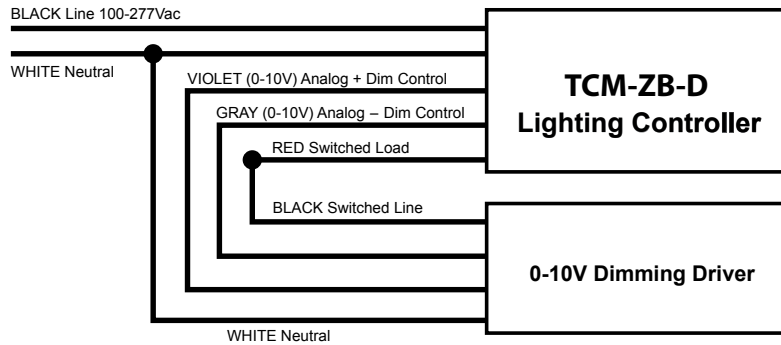




# TCM-ZB-D RESET BUTTON QUICK GUIDE



# TCM-ZB-D RESET BUTTON QUICK GUIDE



## Reset Button

The reset button is used to un-join a ZigBee network and reset the TCM-ZB--D to factory defaults.

**To Reset:** Press and hold the reset button for 7 seconds. You will hear internal relay click once reset occurs. The Green LED indicator will flash ON/OFF when not joined to a ZigBee network.

## Joined

The Green LED indicator will remain ON when TCM-ZB-D has successfully joined a ZigBee network.

## Reset Button

The reset button is used to un-join a ZigBee network and reset the TCM-ZB--D to factory defaults.

**To Reset:** Press and hold the reset button for 7 seconds. You will hear internal relay click once reset occurs. The Green LED indicator will flash ON/OFF when not joined to a ZigBee network.

## Joined

The Green LED indicator will remain ON when TCM-ZB-D has successfully joined a ZigBee network.

